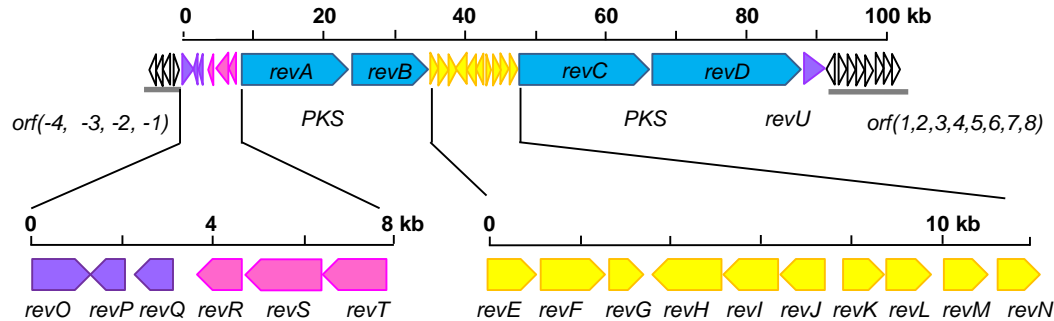
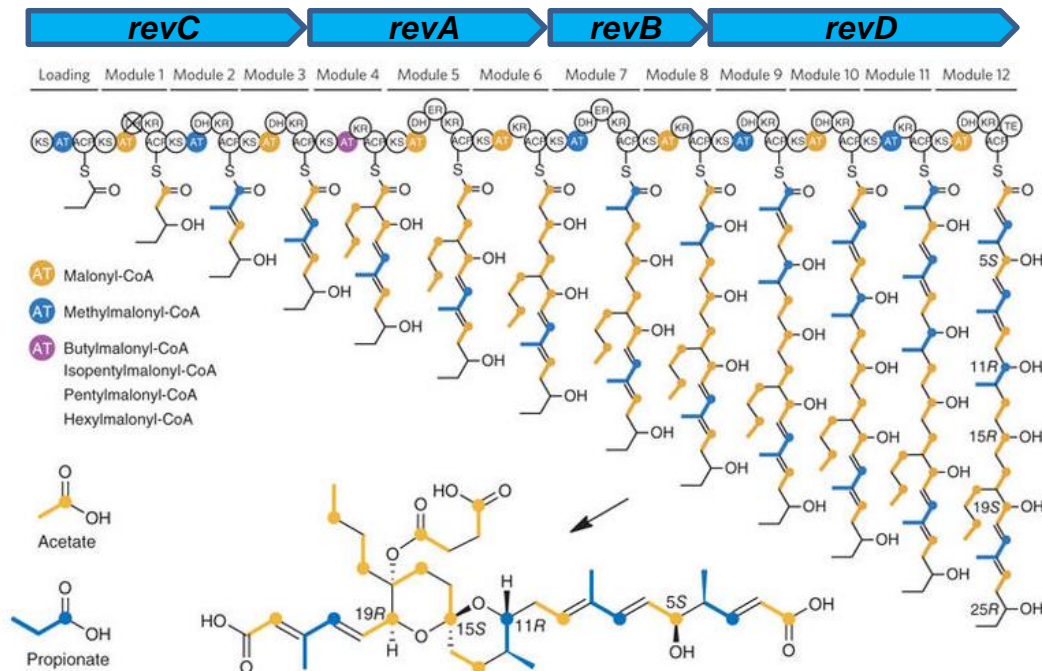


Gene cluster



Modules and domains



Producer

Streptomyces
reveromyceticus
SN-593

References

Takahashi S, Toyoda A, Sekiyama Y, Takagi H, Nogawa T, Uramoto M, Suzuki R, Koshino H, Kumano T, Panthee S, Dairi T, Ishikawa J, Ikeda H, Sakaki Y, Osada H. *Nat Chem Biol*, 7(7): 461-468 (2011) PMID: [21642985](https://pubmed.ncbi.nlm.nih.gov/21642985/) [doi: [10.1038/nchembio.583](https://doi.org/10.1038/nchembio.583)]